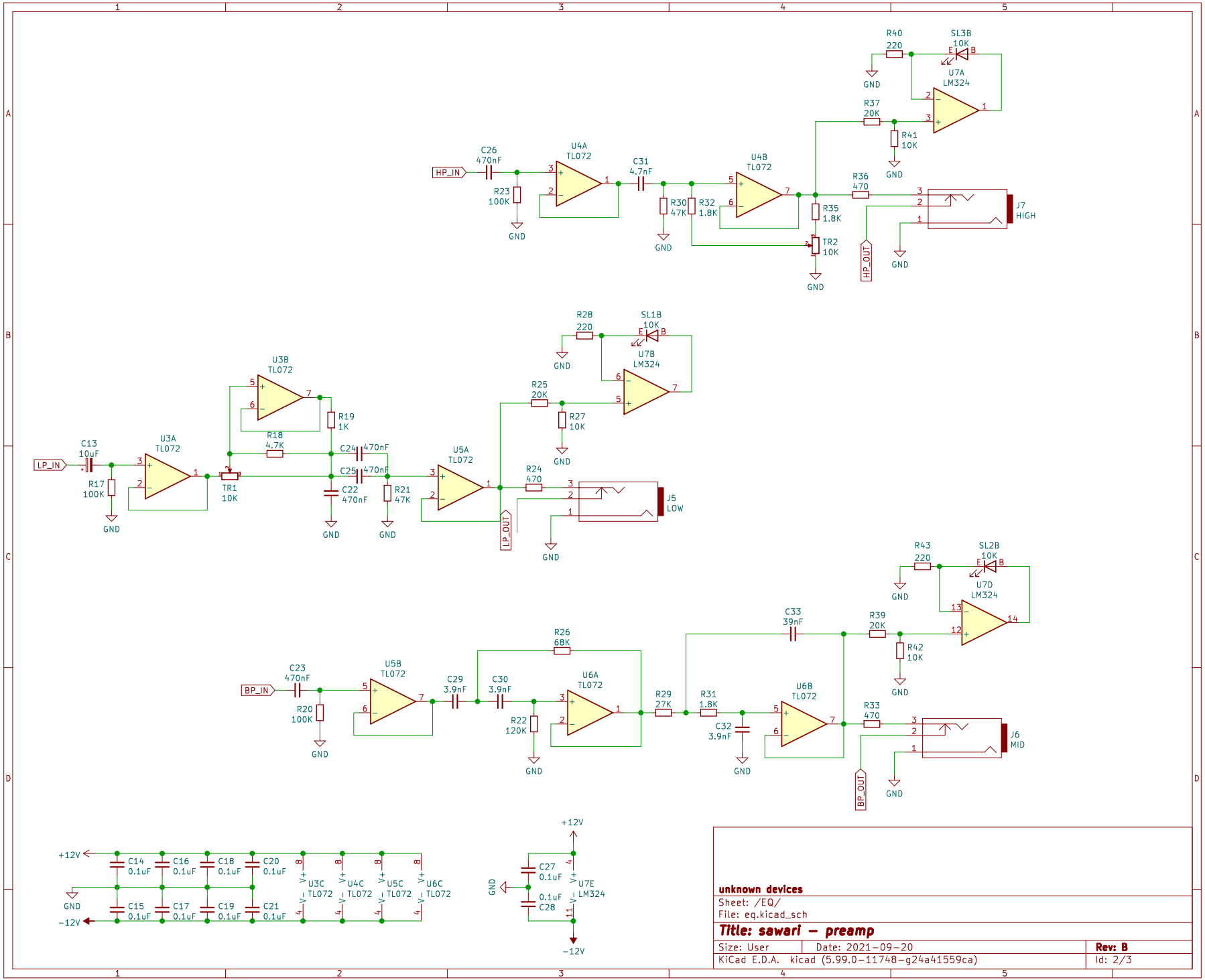
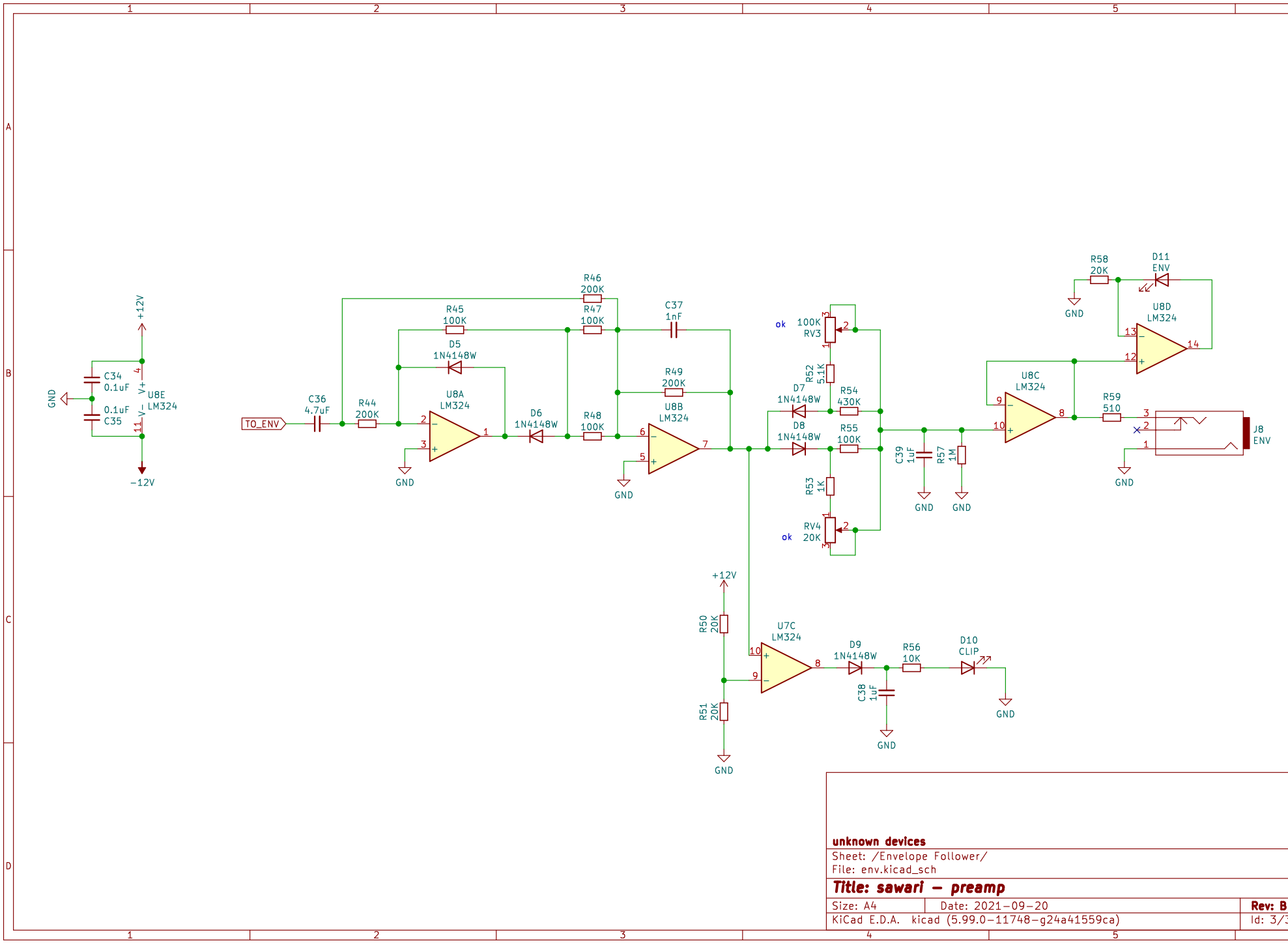


<b>unknown devices</b>	
Sheet: /	
File: preamp.kicad_sch	
<b>Title: sawari – preamp</b>	
Size: A4	Date: 2021-09-20
KiCad E.D.A. kicad (5.99.0-11748-g24a41559ca)	Rev: B
	Id: 1/3



<b>unknown devices</b>		
Sheet: /EQ/		
File: eq.kicad_sch		
<b>Title: sawari - preamp</b>		
Size: User	Date: 2021-09-20	<b>Rev: B</b>
KiCad E.D.A. kicad (5.99.0-11748-g24a41559ca)		Id: 2/3



<b>unknown devices</b>	
Sheet: /Envelope Follower/	
File: env.kicad_sch	
<b>Title: sawari – preamp</b>	
Size: A4	Date: 2021-09-20
KiCad E.D.A. kicad (5.99.0-11748-g24a41559ca)	Rev: B
	Id: 3/3